

HIGH SPEED DIGITAL FOUR POLE STATIC TRANSFER SWITCH (STS)



STS-SP-120/208Y-150/150

The STS-SP-120/208Y-150/150 is one in a family of L-3 Power Paragon's High Speed Digital Transfer Switches. This four pole (switched neutral) is designed to automatically transfer critical loads between two separate power sources whose neutrals are grounded as a separately derived system.

Designed using fully rated Silicon-Controlled Rectifiers (SCR) as switching elements, the STS-SP-120/208Y-150/150 transfers the critical load between sources in less than a ¼ cycle upon loss of source. This is more than 10 times faster than traditional electromechanical switches appearing seamless to even the most sophisticated loads. The neutral between the sources are switched with a brief overlap.

The STS-SP-120/208Y-150/150 has precision digital sense and control circuits that do not require calibration or adjustments. The sensed analog signals are converted to digital format before being processed. All operational parameters are set digitally.

The STS-SP-120/208Y-150/150 has dedicated logic for all the critical sensing, processing and switching operations which ensures fast, reliable, and predictable operations at all times. A micro-controller performs the system level functions such as operator interface (HMI), operating parameters setup, and status monitoring for reporting.



High Speed Digital
Static Transfer Switch

FEATURES

- Continuous monitoring of both sources
- Static neutral switching
- Transfers between dissimilar sources of power
- ¼ cycle transfer time on loss of power
- Fault tolerant digital logic-no single point of failure
- Manual transfer controls
- Remote monitoring/controls-RS485 ModBus Comm
- 100% rated robust power train
- Redundant fans
- Logic interface for bypass/isolation

OPTIONS

- Installation and start-up
- Site testing and training programs
- Maintenance contracts
- Spare parts
- Floor mounted unit with input/output & bypass isolation 4 pole circuit breakers

COMPLIANCE

- UL 1008 – recognized
- FCC Part 15 Class A
- IEEE C62.41(BI)

HIGH SPEED DIGITAL FOUR POLE STATIC TRANSFER SWITCH (STS)



STS-SP-120/208Y-150/150

ELECTRICAL CHARACTERISTICS

Voltage/Frequency
120/208 VAC, 3-PH, 4W, 60Hz

Current Rating
150 A

Efficiency
98% nominal

ENVIRONMENTAL SPECIFICATIONS

Operating Temperature Range 0°C to 40°C

Relative Humidity 0% to 95% noncondensing

OPERATIONAL CHARACTERISTICS

Sense Time
less than 2 ms upon loss of source

Sense & Transfer Time
1/4 cycle upon loss of source

REMOTE COMMUNICATIONS

RS-485 Port
Offers remote status and operation access

USER ADJUSTABLE SETTINGS

- Overvoltage
- Undervoltage
- Retransfer ON/OFF
- Retransfer delay time
- Phase angle error
- Transfer delay
- Transfer inhibit (overload)

PANEL INDICATORS

- Summary Alarm/Audible
- Source 1 Active
- Source 2 Active
- Source 1 Preferred
- Source 2 Preferred
- Auto Retransfer On
- Auto Retransfer Off
- Load Power On
- Input Avail-Source 1
- Input Avail-Source 2
- Phase Status

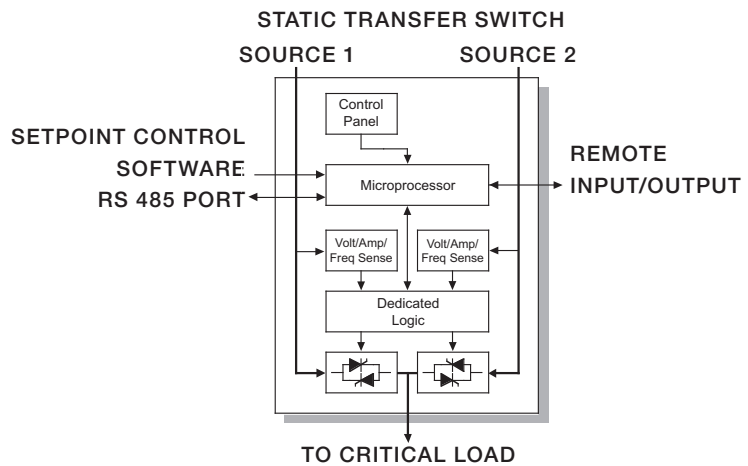
PANEL CONTROLS

- Fault Reset
- Lamp Test
- Auto Retransfer On
- Auto Retransfer Off
- Select Source 1
- Select Source 2
- Control Enable (keylock)
- Audible Alarm Reset

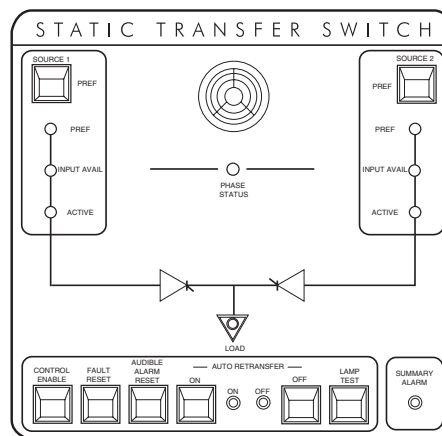
PHYSICAL SPECIFICATIONS

Weight 230 lbs /105 kg

Dimensions H 35.0 in. /89 cm
W 21.0 in. /53.3 cm
D 12.7 in. /32.3 cm



Dedicated logic provides the fastest and most reliable operation for the critical switching functions, while the microprocessor attends to system level functions.



STANDARD CONTROL PANEL

Power Paragon

901 E. Ball Road
Anaheim, CA 92805

Tel: 714.956.9200

Fax: 714.956.5397

Email: info.ppi@L-3com.com

L-3com.com/PowerParagon